

Project Name: _____
 Location: _____
 Engineer: _____
 Submitted to: _____
 Submitted by: _____
 Reference: _____

Approval: _____
 Date: _____
 Construction: _____
 Unit #: _____
 Drawing #: _____

Performance

Indoor Unit Model No:	Non-Ducted
Outdoor Unit Model No:	2MXS18GVJU
Cooling Capacity (Btu/hr):	18000
Sensible Capacity (Btu/hr):	0
Cooling Input Power (kW):	
Cooling EER (Btu/hr / kW):	12.6
SEER:	19.5
Heating Capacity (Btu/hr):	20000
Heating Input Power (kW):	
Heating COP (Btu/hr / Btu/hr):	3.4
HSPF:	9.2

Indoor Unit Type:	
Condensing Unit Type:	2 Zone Multi Heat Pump
Cooling Nominal Conditions	Indoor: 80°F DB/67°F WB
	Outdoor: 95°F DB/75°F WB
	Water Cooled:
Heating Nominal Conditions	Indoor: 47°F DB/43°F WB
	Outdoor: 47°F DB/43°F WB
	Water Cooled:
Nominal Piping Length	25
Nominal Height Separation	0
Nominal Water Flow Rate	

Indoor Unit Details

Power Supply (V/Hz/Ph):	N/A
Power Supply Connections:	
Min. Circuit Amps MCA (A):	
Max. Fusible Amps MFA (A):	
Dimensions (HxWxD):	N/A
Panel (HxWxD):	N/A
Net Weight (lbs):	
Weight with Panel (lbs):	

Airflow Rate (CFM wet coil)	N/A
Moisture Removal (pt/h):	
Gas Pipe Connection (inch):	
Liquid Pipe Connection (inch):	
Condensate Connection (inch):	
Sound Pressure Level (dBA):	
Sound Power Level (dBA):	
Nominal External Static Pressure (inH2O)	
Max Ext Static Pressure (inH2O)	

Condensing Unit Details

Power Supply (V/Hz/Ph):	208-230/60/1ph
Power Supply Connections:	L1, L2, Ground
Min. Circuit Amps MCA (A):	11.1
Max. Fusible Amps MFA (A):	20
Max. Starting Current MSC(A):	8.3
Rated Load Amps RLA (A):	7.7
Total Overcurrent Amps (A):	
Dimensions (HxWxD):	28-15/16x32-1/2x11-13/16
Net Weight (lbs):	139
Compressor Type:	Inverter
Capacity Control Range (%):	
Capacity Index Limit:	

Airflow Rate (CFM):	1730
Gas Pipe Connection (inch):	3/8 x2
Liquid Pipe Connection (inch):	1/4 x2
H/L Pressure Connection (inch):	
H/L Equalizing Connection (inch):	
Water Inlet Connection (inch FPT):	
Water Outlet Connection (inch FPT):	
Condensate Drain Outlet (inch FPS):	
Sound Pressure Level (dBA):	51
Sound Power Level (dBA):	
Unit Heat Rejection (kW):	
Max. No. of Indoor Units:	2

System Details

Refrigerant Type:	R-410A
Holding Refrigerant Charge (lbs):	5.73
Additional Charge (oz/ft):	0.22
Pre-charge Piping (Length ft):	98.4 ft
Max. Pipe Length (Total ft):	164/82 ft
Max. Pipe Length (Vertical ft):	49.2 ft

Cooling Operation Range (°F):	14 - 115
Cooling Range w/Baffle (°F):	14 - 115
Heating Operation Range (°F):	5 - 72
Heating Range w/Baffle (°F):	5 - 72
Cooling Inlet Water Temp (°F):	
Heating Inlet Water Temp (°F):	
Water Flow Range (GPM):	

Submittal Data Sheet

Project Name: _____
Location: _____
Engineer: _____
Submitted to: _____
Submitted by: _____
Reference: _____

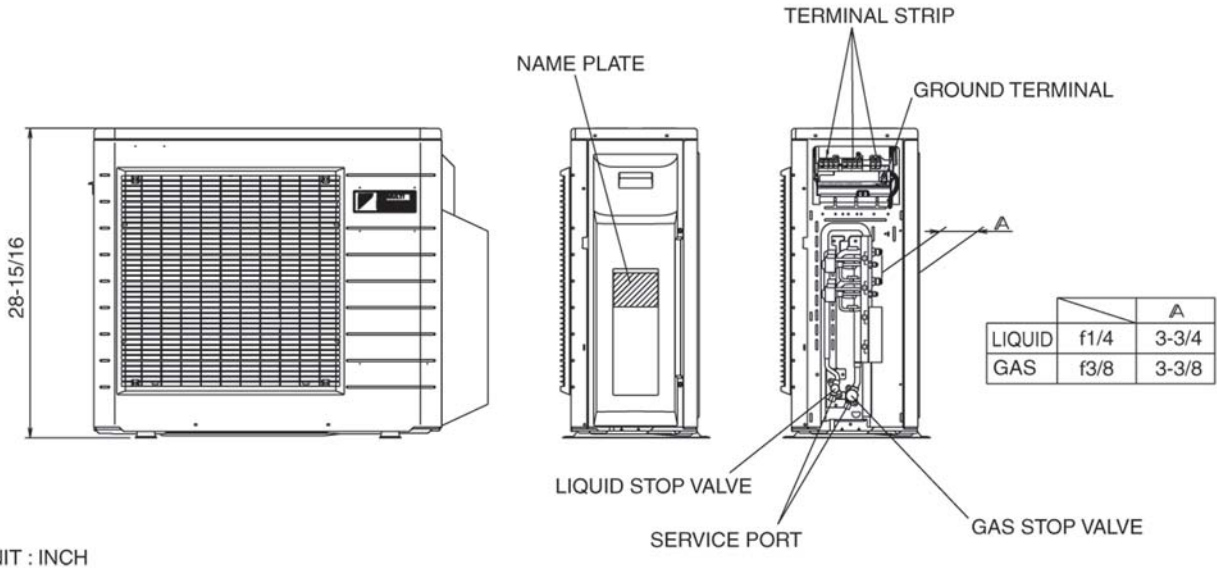
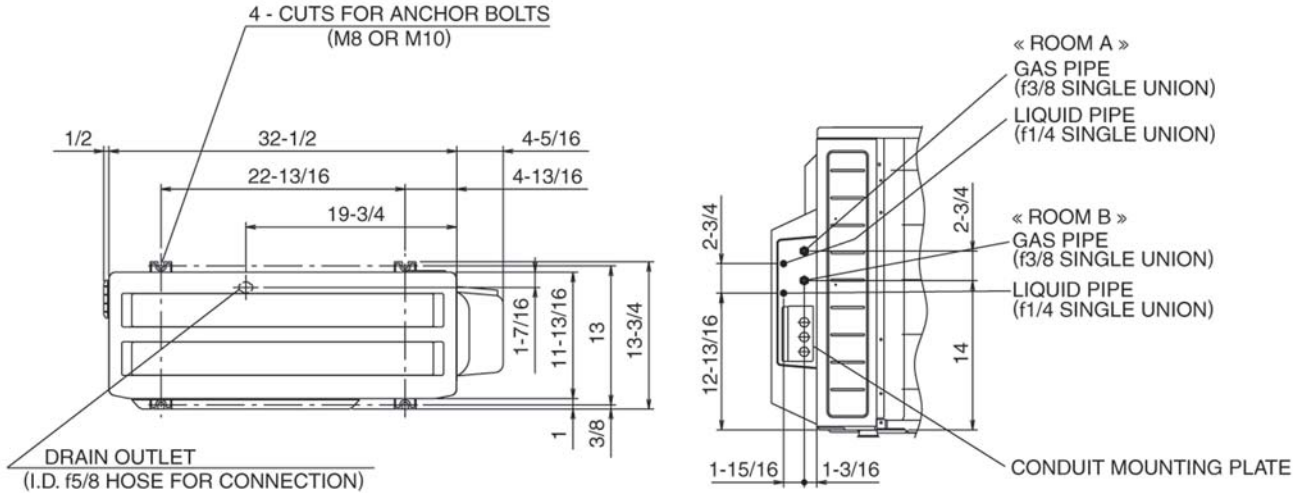
Approval: _____
Date: _____
Construction: _____
Unit #: _____
Drawing #: _____



Project Name: _____
 Location: _____
 Engineer: _____
 Submitted to: _____
 Submitted by: _____
 Reference: _____

Approval: _____
 Date: _____
 Construction: _____
 Unit #: _____
 Drawing #: _____

Dimensional Drawing - Condensing Unit



UNIT : INCH

Project Name: _____
Location: _____
Engineer: _____
Submitted to: _____
Submitted by: _____
Reference: _____

Approval: _____
Date: _____
Construction: _____
Unit #: _____
Drawing #: _____

Notes

Std U.S. Warranty: 7yrs Compressor, 5yrs Parts, 1yr Limited Labor