



SkyAir
FHQ

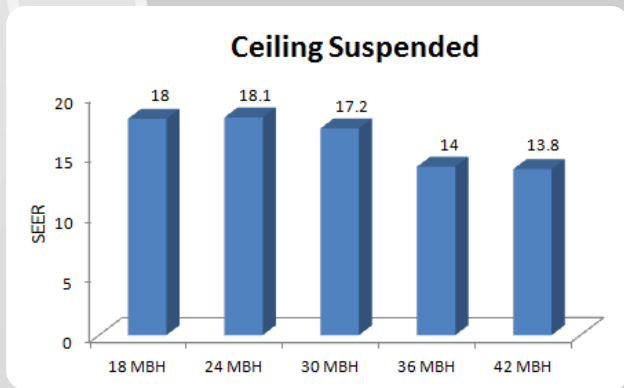


Ceiling Suspended Heat Pump or Cooling Only

EXPERTISE AND INNOVATION

Daikin's FHQ ceiling suspended SkyAir systems are ideal for applications without false ceilings. Installed from the structure, this indoor unit is designed for all around maximum efficiency, delivering full capacity at ceiling heights up to 12.5 ft.

ENERGY EFFICIENCY



Integrated with an inverter "variable speed" compressor, SkyAir systems deliver the capacity required to maintain desired room conditions and reduce energy consumption with SEER levels up to 18.1. This technology minimizes temperature fluctuations and provides continuous cooling and heating comfort with maximum energy savings.

INDIVIDUAL COMFORT AND CONTROL

Individual temperature control provides comfort for the entire space. With effective cooling and heating coverage at quiet operating sound levels, these systems combine superior comfort control with lifestyle convenience all at the touch of a button.



BUILT-IN RELIABILITY



All major components are engineered and manufactured by Daikin, ensuring maximum performance, reliability and efficiency. From the internal motors and compressors to the exterior anti-corrosion treatment and self diagnostic function, Daikin systems are built with durability and backed by one of the best warranties in the industry.

ADVANCED FEATURES THAT MAKE A DIFFERENCE

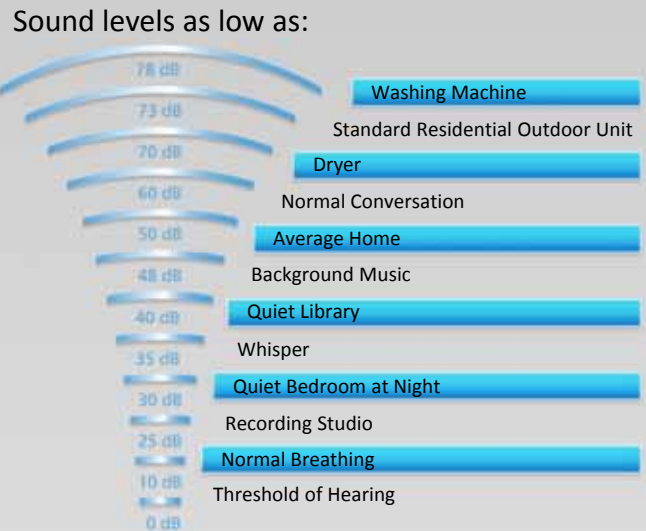
Feel the Difference



Designed for absolute comfort, Daikin's ceiling suspended SkyAir units include features to ensure a comfortable experience every moment. With the auto-swing capability and 100° airflow pattern, effective heating and cooling is ensured throughout the space.

Hear the Difference

Utilizing inverter technology to maintain comfort settings, Daikin systems most often operate at low speeds with outdoor sound levels as low as 49 dB. Activate the outdoor unit quiet operation and sound levels drop by 2-3 dB for quieter and gentler heating and cooling.



Discover the Daikin Difference



Daikin is revolutionizing air conditioning in North America with some of the most technologically and aesthetically advanced solutions ever introduced. These intelligent, energy efficient systems provide an unprecedented level of individual comfort, convenience and control.

FEATURES



Program Dry Function



24 Hour On/Off Timer



Auto Restart After Power



Self Diagnosis with Digital Display



Anticorrosion Treatment



Scan for Description of Features

LEADING TECHNICAL PERFORMANCE

System Performance							
Model Name	Indoor (Cooling Only and Heat Pump)		FHQ18PVJU	FHQ24PVJU	FHQ30PVJU	FHQ36MVJU	FHQ42MVJU
	Outdoor (Cooling Only)		RZR18PVJU	RZR24PVJU	RZR30PVJU	RZR36PVJU	RZR42PVJU
	Outdoor (Heat Pump)		RZQ18PVJU9	RZQ24PVJU9	RZQ30PVJU	RZQ36PVJU9	RZQ42PVJU9
Cooling Capacity (Rated)	Btu/h	18,000	24,000	30,000	36,000	40,500	
Heating Capacity (Rated)	Btu/h	20,000	27,000	34,000	37,500	39,500	
SEER		18.0	18.1	17.2	14.0	13.8	
EER		14.0	12.6	10.5	10.2	9.5	
HSPF*		11.1	10.0	8.4	8.1	8.2	
Power Supply	Single phase 60Hz 208/230V						
Minimum Circuit Amps	A	16.5	16.5	16.5	27	27	
Maximum Overcurrent Protection	A	20	20	30	20	30	
Power Consumption - Cooling	W	1,290	1,900	2,860	3,530	4,260	
Power Consumption - Heating*	W	1,510	2,200	3,690	3,660	3,990	
Operating Current - Cooling	A	n/a	n/a	n/a	n/a	n/a	
Operating Current - Heating*	A	n/a	n/a	n/a	n/a	n/a	

Indoor Units – FHQ_MVJU and FHQ_PVJU Ceiling Suspended						
Model Name		FHQ18PVJU	FHQ24PVJU	FHQ30PVJU	FHQ36MVJU	FHQ42MVJU
Moisture Removal	gal/h	n/a	n/a	n/a	n/a	n/a
Airflow-Wet (H/L)	CFM	790/670	790/670	790/670	830/670	850/700
Sound Pressure - Cooling (H/L)	dB(A)	n/a	n/a	n/a	n/a	n/a
Sound Pressure - Heating (HL)*	dB(A)	n/a	n/a	n/a	n/a	n/a
Piping Connections	Liquid (O.D.)	in.	Ø 3/8	Ø 3/8	Ø 3/8	Ø 3/8
	Gas (O.D.)	in.	Ø 5/8	Ø 5/8	Ø 5/8	Ø 5/8
	Condensate Drain	in.	Ø 1	Ø 1	Ø 1	Ø 1
Dimensions (H x W x D)	in.	7-11/16 x 62-5/8 x 26-3/4				
Net Weight	lbs.	90	90	90	90	90

Outdoor Units - RZR_PVJU Cooling Only and RZQ_PVJU(9) Heat Pump						
Model Name	Cooling Only	RZR18PVJU	RZR24PVJU	RZR30PVJU	RZR36PVJU	RZR42PVJU
	Heat Pump	RZQ18PVJU9	RZQ24PVJU9	RZQ30PVJU	RZQ36PVJU9	RZQ42PVJU9
Sound Pressure Level - Cooling/Heating*	dB(A)	49/49	49/49	49/49	58/58	58/58
Operating Range - Cooling	°F DB	23 - 115	23 - 115	23 - 115	23 - 115	23 - 115
Operating Range - Cooling with Optional Wind Baffle	°F DB	0 - 115	0 - 115	0 - 115	0 - 115	0 - 115
Operating Range - Heating*	°F DB	0 - 77	0 - 77	0 - 77	0 - 77	0 - 77
Operating Range - Heating*	°F WB	0 - 60	0 - 60	0 - 60	0 - 60	0 - 60
Max. Piping Length	ft.	164	164	164	230	230
Max. Piping Height	ft.	98	98	98	164	164
Dimensions (H x W x D)	in.	30-5/16 x 35-7/16 x 12-5/8			52-15/16 x 35-7/16 x 12-5/8	
Net Weight	lbs.	150	150	150	283	283

*Applicable to heat pump models only

Options	Part Number
Wired Controller	BRC1E71
Wireless Controller	BRC7E83
Condensate Pump (18/24 MBH)	DACA-CP1-1
Condensate Pump (30/36/42 MBH)	DACA-CP2-1
Mounting Bracket	DACA-WB-3
Air Adjustment Grille	KPW5E80

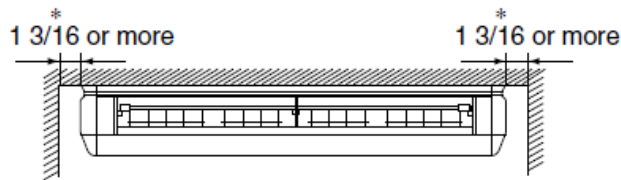
TIME-SAVING INSTALLATION AND EASE

Connected by a pair of refrigerant lines, few electrical connections, and no ductwork, indoor and outdoor units can be easily installed in existing spaces with minor disruption and often in a single day's work. The compact and lightweight designs combined with flexible piping and minimal wiring allow installation with minimal time and costs.

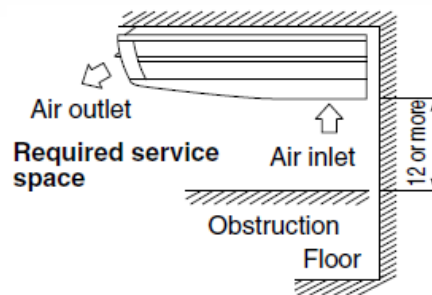
For FHQ18/24/30PVJU, FHQ36/42MVJU

Space required for installation (in.)

Wall height on air outlet side = Less than 47-1/4"



* 7-7/8" or more for easier service and maintenance space.

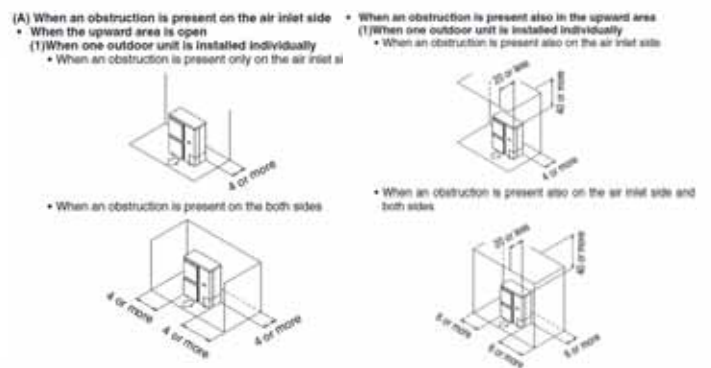
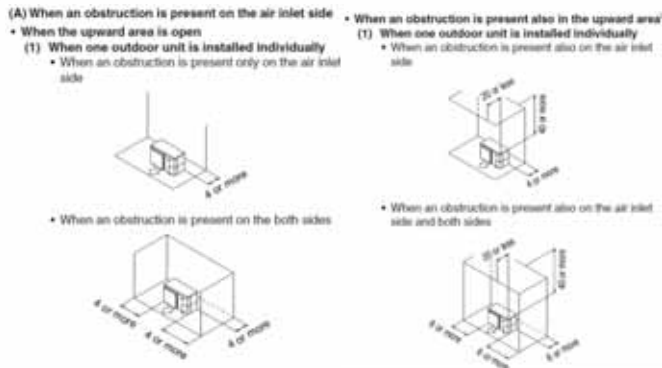


(Length : in.)

For RZR18/24/30/36/42PVJU, RZQ18/24/30/36/42PVJU(9)

Space required for installation (in.)

Wall height on air outlet side = Less than 47-1/4"



WARNINGS:

- Always use a licensed installer or contractor to install this product. Do not try to install the product yourself. Improper installation can result in water or refrigerant leakage, electrical shock, fire or explosion.
- Use only those parts and accessories supplied or specified by Daikin. Ask a licensed contractor to install those parts and accessories. Use of unauthorized parts and accessories or improper installation of parts and accessories can result in water or refrigerant leakage, electrical shock, fire or explosion.
- Read the User's Manual carefully before using this product. The User's Manual provides important safety instructions and warnings. Be sure to follow these instructions and warnings.

For any inquiries, contact your local Daikin sales office.



Use of the AHRI Certified™ mark indicates a manufacturer's participation in the certification program. For verification of certification for individual products, go to www.ahridirectory.org



Organization:
DAIKIN INDUSTRIES, LTD.
AIR CONDITIONING MANUFACTURING DIVISION
Scope of Registration:
THE DESIGN/DEVELOPMENT AND MANUFACTURE OF COMMERCIAL AIR CONDITIONING, HEATING, COOLING, REFRIGERATING EQUIPMENT, COMMERCIAL HEATING EQUIPMENT, RESIDENTIAL AIR CONDITIONING EQUIPMENT, HEAT RECLAIM VENTILATION, AIR CLEANING EQUIPMENT, MARINE TYPE CONTAINER REFRIGERATION UNITS, COMPRESSORS AND VALVES.



Organization:
DAIKIN INDUSTRIES (THAILAND) LTD.
Scope of Registration:
THE DESIGN/DEVELOPMENT AND MANUFACTURE OF AIR CONDITIONERS AND THE COMPONENTS INCLUDING COMPRESSORS USED FOR THEM.



All of the Daikin Group's business facilities and subsidiaries in Japan are certified under the ISO 14001 International standard for environmental management.

© 2012 Daikin Industries, Limited.

Daikin, Daikin AC Absolute Comfort, and its design, VRV, REFNET, Quaternity, Daikin Altherma are trademarks of Daikin Industries, LTD.

www.daikinac.com

Distributor or Dealer Information:

Daikin AC (Americas), Inc.
1645 Wallace Drive, Suite 110
Carrollton, TX 75006
www.daikinac.com
866.4DAIKIN
972.245.1510

DFFHUSE12-06C

For all equipment installation & application limitations please refer to the specific Engineering Data Books. Daikin's products are subject to continuous improvements. Daikin reserves the right to modify product design, specifications and information in this brochure without notice and without incurring any obligations.